



## Egg Shell Printer

# DJ800

蛋機

It's "High Resolution Drop-On-Demand" technology printer, designed specifically to print edible inks onto egg shell with images, date/time code and serial number.

Simple, flexible and clean.

No fixed service or maintenance costs.

Minimal consumption costs.

Three types, one, two and six heads module suits for coding on different packing method.





## Key Feature

### 01 Ink Cartridge

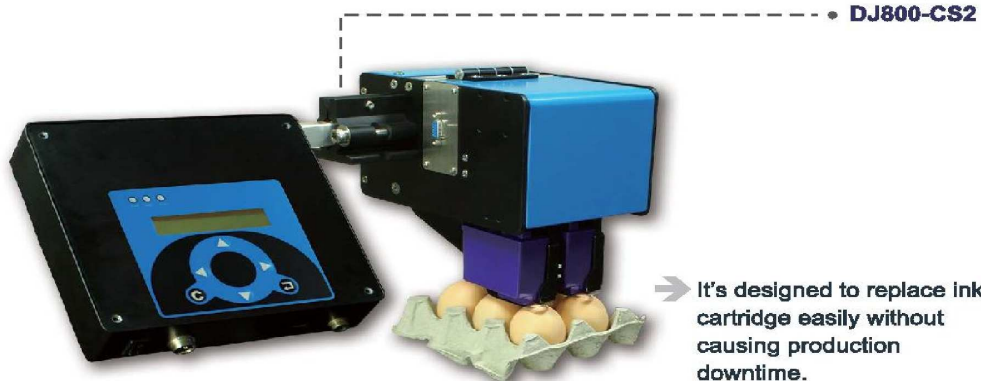


→ Disposable ink cartridge with 35ml capacity for edible inks. Optional colours; Pink \ Red \ Green and Purple.

→ One cartridge is capable of printing up to 6,000,000 x 2mm height characters.

Key Feature

### 02 User Friendly Design for Replacing Cartridge Easily Without Affecting Production

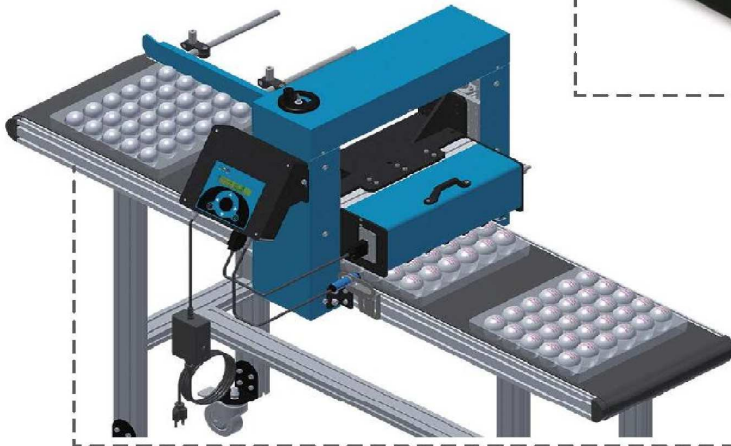
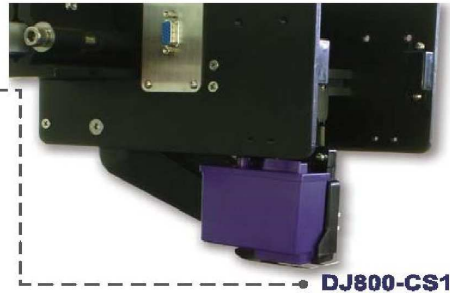


2



**Key Feature**

"Ski System" provides a good solution for EGG printing at high speed.

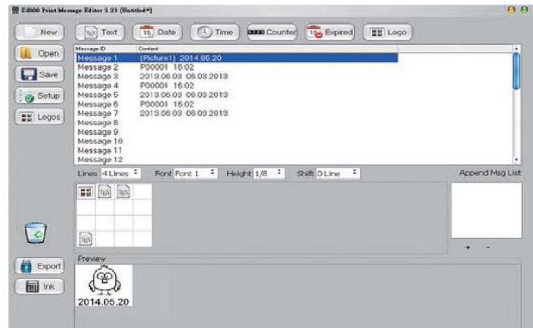


Key Feature

**03 Easy to Use**

→ Quick message editing with our user friendly software DotW-EG and fast data transmission to printer via flash drive. The printer can stored up to 30 messages.

→ The controller uses 20 characters x 2 lines LCD module display. It is extremely easy to use, thus minimizing training needed for new users.



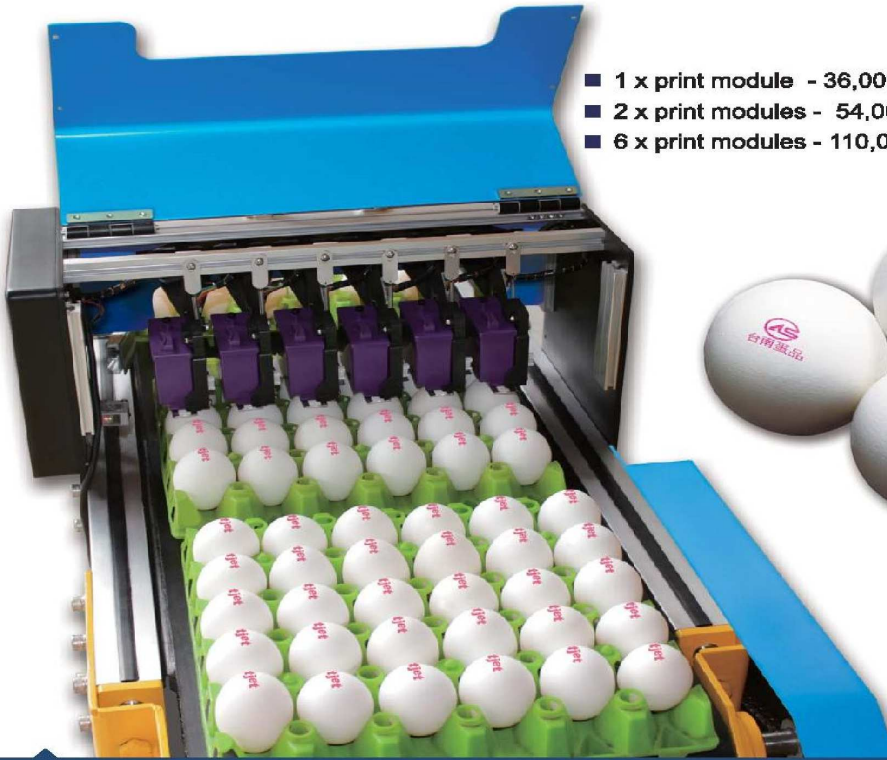


## Specification

Power Supply	AC 90- 220V, 50/60 HZ
Nozzle Height	9mm
Normal Printing	2mm / 4 lines
	3mm / 2 lines
	9mm / 1 lines
Images Format	Bitmap 1 bit (*.bmp)
Vertical Print Resolution	300dpi
Print Speed (Eggs moving on the conveyor)	20 m/min
Print Capability	Text, date-time codes, serial number, logo

## Productivity

Specification & Productivity



- 1 x print module - 36,000 eggs per hour
- 2 x print modules - 54,000 eggs per hour
- 6 x print modules - 110,000 eggs per hour

NEW JERSEY TRADING LLC : AUTHORISED DISTRIBUTOR